

**APPROVED**

By Eneni Sowande at 4:51 pm, Aug 07, 2024

**NOTE : THE WALL CABINET IS AN OPEN SHELF - 4 NOS**

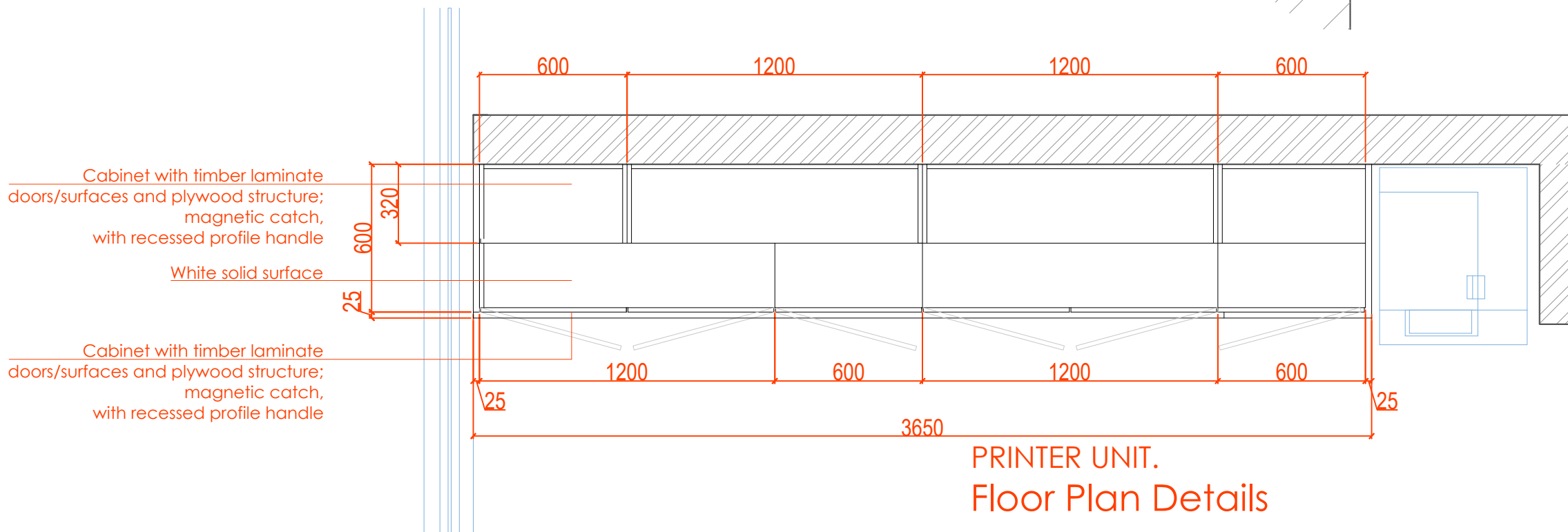
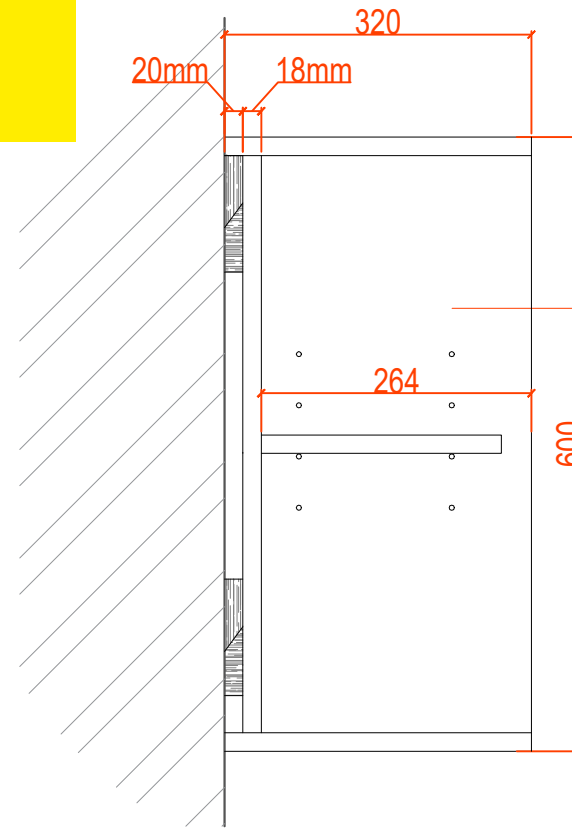
5th, 8th, 11th and 13th floor.

## Printer Storage (3rd-13th Floor) (excluding Appliances)

Base cabinet with white solid laminate worktop -PU finish, and Wall cabinet, Wall shelf in laminate finish and stainless steel skirting.

ITEM 18 ON THE LIST  
QTY 4

FINISHING CODE SW287



PRINTER UNIT.  
Floor Plan Details

5th, 8th, 11th and 13th floor.

www.wood-styles.com

Copyright of designs shown herein is retained by this office. Authority is required for any reproduction. © Copyright Wood-styles Ltd.

Nigeria, Lagos +234 80 9037 9888  
Email: info@wood-styles.com

Project  
SHELL CW866175  
SHELL PROJECT  
EAGLE -ALPHA 1 TOWER

Owner  
---

Date	Description
DSD-V1-ID-16/5/2024	- REV1
DSD-V1-ID-10/6/2024	- REV 2
DSD-V1-ID- 6/8/2024	- REV 3

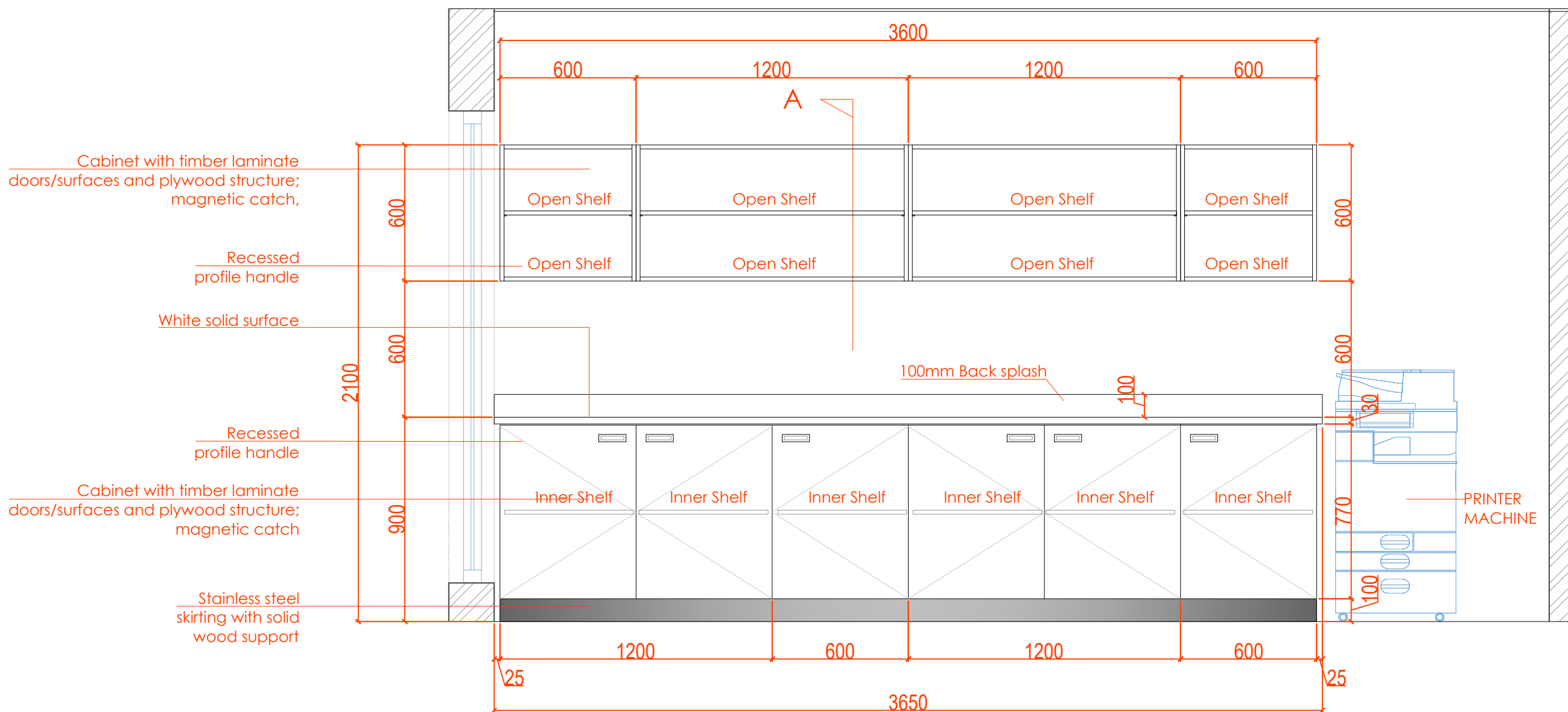
**FOR APPROVAL**

Project No. : ---  
Scale : N/A  
Drawn by : OBJ  
Checked : OBJ  
Cad File : CAD\_FILE

Sheet title  
Printer Storage Unit  
Floor Plan and Side Details

Dwg No.	No.
WS-DS-SD-SH-018	SHEET 1

Date	Description
DSD-V1-ID-16/5/2024	- REV1
DSD-V1-ID-10/6/2024	- REV 2
DSD-V1-ID- 6/8/2024	- REV 3



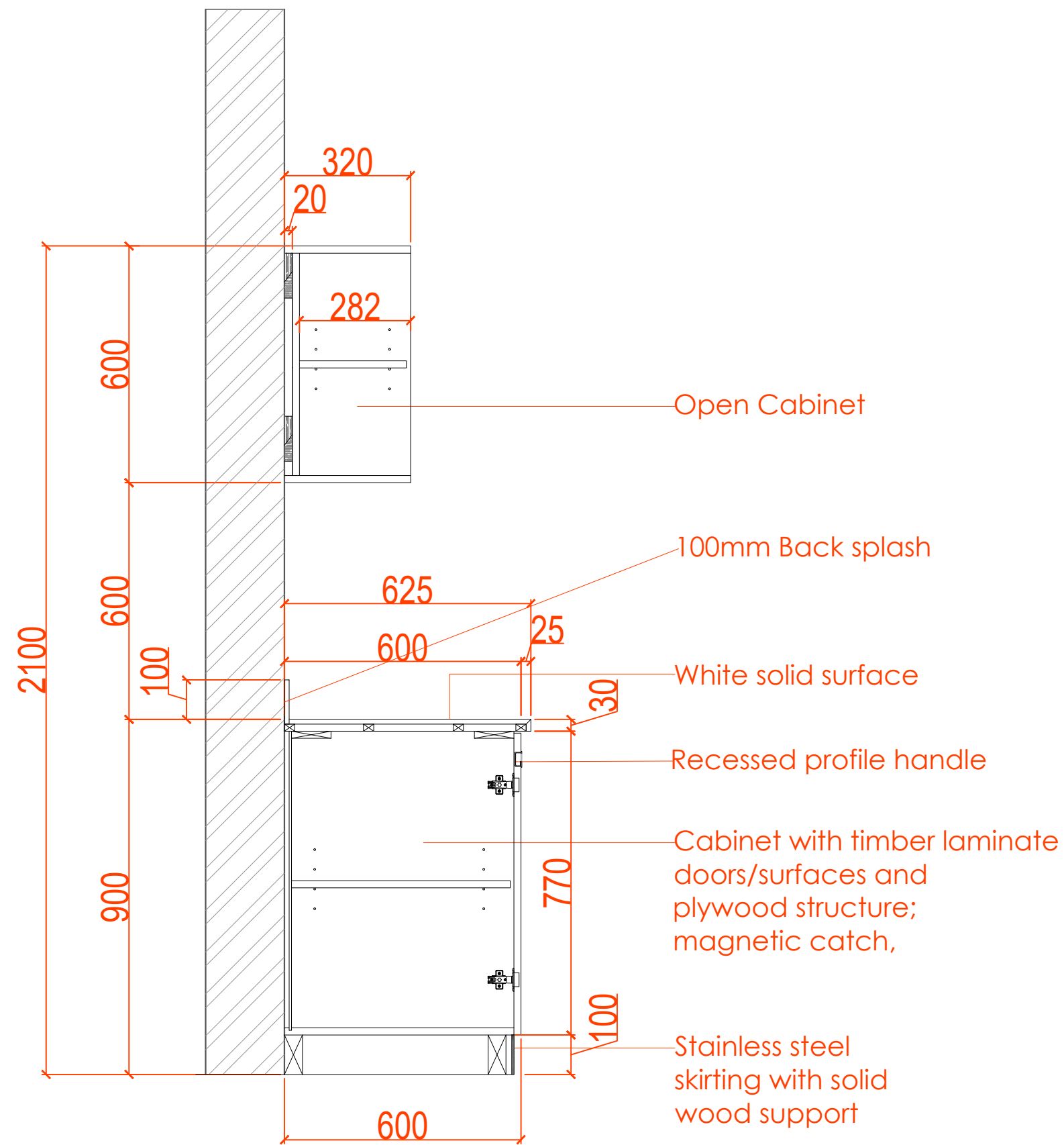
**PRINTER UNIT.  
FRONT ELEV. WITH DOOR Details  
5th, 8th, 11th and 13th floor.**

**APPROVED**  
By Eneni Sowande at 4:51 pm, Aug 07, 2024

**FOR APPROVAL**

Project No. : ---  
Scale : N/A  
Drawn by : OBJ  
Checked : OBJ  
Cad File : CAD\_FILE

Sheet title  
**Printer Storage Unit  
FRONT ELEV. WITH DOOR Details**



PRINTER UNIT.  
SECTIONAL Details-A  
5th, 8th, 11th and 13th floor.

**APPROVED**  
By Eneni Sowande at 4:51 pm, Aug 07, 2024

www.wood-styles.com

Copyright of designs shown herein is retained by this office.  
Authority is required for any reproduction.  
© Copyright Wood-styles Ltd.

Nigeria, Lagos +234 80 9037 9888  
Email: info@wood-styles.com

Project  
SHELL CW866175  
SHELL PROJECT  
EAGLE -ALPHA 1 TOWER

Owner  
---

Date	Description
DSD-V1-ID-16/5/2024	- REV1
DSD-V1-ID-10/6/2024	- REV 2
DSD-V1-ID- 6/8/2024	- REV 3

FOR APPROVAL

Project No. : ---  
Scale : N/A  
Drawn by : OBJ  
Checked : OBJ  
Cad File : CAD\_FILE

Sheet title  
Printer Storage Unit  
SECTIONAL Details A and B

Dwg No.	No.
WS-DS-SD-SH-018	SHEET 4